

# VL LED backlight

Machine builder and plant manufacturer can focus on the application – VELTRU offers the robots and additional technology required for system integration in Pick-and-Place.

- 24VDC – integrated current controller
- WashDown execution
- 7 standard sizes
- Thin design, 20mm height
- Standard 4-pol M8 connector
- Dimmable 0-10V or 4...20mA, can be used as low current switch
- Flicker free, also if dimmed



## Options:

- 300 x 185 to 1130mm, in increments of 35mm
- Contact VELTRU for other requests

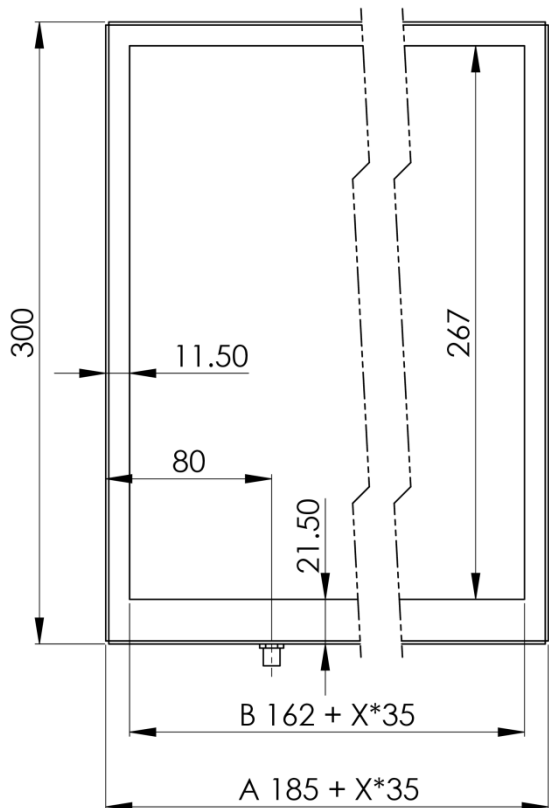
The VELTRU VL Vision Lighting product range is intended to offer simple, robust general machine vision illumination. The VL LED backlights are intended for applications with contour based vision tasks only. In these applications, using backlight typically minimizes the complexity and maximizes the robustness of the product localization.

The VELTRU VL LED backlights are WashDown execution (IP69K if connected) and have a scratch proof safety glass on top. The design minimizes risks of glass breakages. Contact VELTRU for conveyor belt material recommendations.

While the VELTRU VL product range can be used stand alone or be combined with any machine vision system, it has been designed to match the V10 product range based on Matrox Iris GT\* series of cameras, programmed with Matrox DA Design Assistant, a flow chart based programming tool. The V10 offers full operating integration into the VELTRU Controls.

Contact VELTRU for further product information, including Pick-and-Place source code Application Templates and multi robot systems with logistics concepts and product flow control.

## Technical data – VELTRU VL LED backlight



Standard Sizes				
All with standard width 300mm / FOV 267mm				
VL	Length A [mm]	FOV B [mm]	Weight [kg]	Power [W] / [A]
3029	290	267	3.3	24W / 1A
3040	395	372	4.8	33W / 1.4A
3050	500	477	6.0	43W / 1.8A
3061	605	582	7.3	50W / 2.1A
3071	710	687	8.1	60W / 2.5A
3082	815	792	9.8	70W / 2.9A
3092	920	897	11	80W / 3.3A

Supply Voltage	24V (22..28V)
Dimming Voltage	1V -10 V (max. 28V Permanent)
Dimming Current	4mA -20mA (max 15V Permanent / 28V Short-term) Load = 500Ohm
IP Code	IP65 (IP69K if plugged)
Color temperature	5000K
Operating temperature	-20°C - 50°C
Homogeneity	> 85%
Luminous power	20'000 Lux

All specifications are subject to changes without notice.

# VELTRU

VELTRU AG  
Flurlingerweg 3  
CH - 8245 Feuerthalen

Tel: +41 (0)52 654 03 80  
Fax: +41 (0)52 654 03 81

info@veltru.com - www.veltru.com