

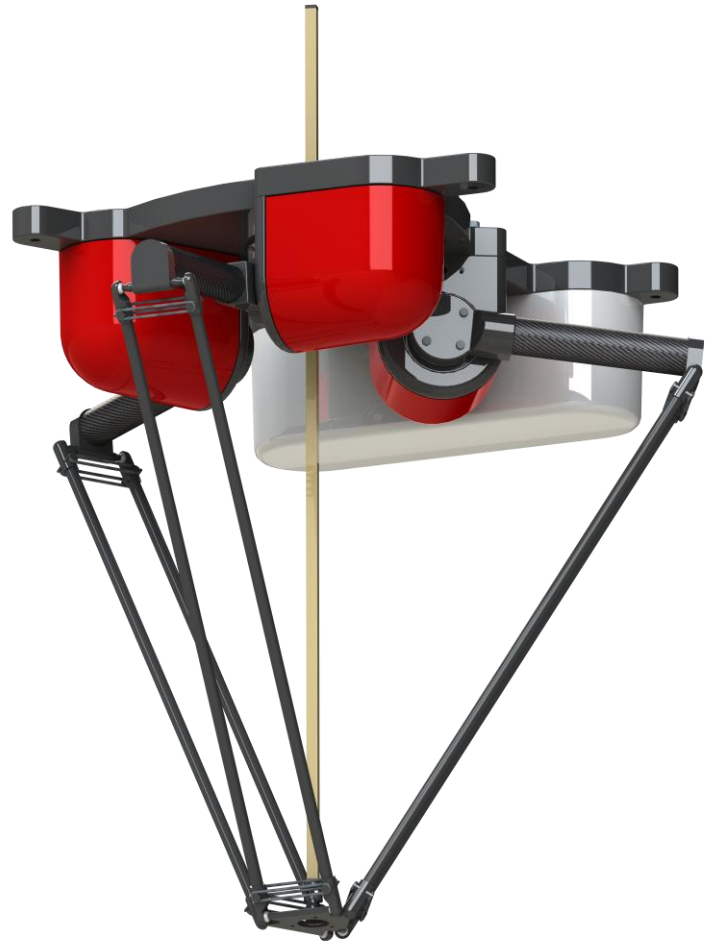
# D12H Delta Robot

Machine builder and plant manufacturer can focus on the application – VELTRU offers the robots and additional technology required for system integration in Pick-and-Place.

- Integrated Servo Drives
- Extended Range and Payload
- STO Safety Integrated

## Options:

- Rotary Feed Through and Gripper
- Machine Vision and other peripherals
- Engineering and Support
- Training Application



The VELTRU D12H Delta Robot is specifically suited for fast Pick-and-Place in food packaging.

Its extended reach covers large conveyor systems and its payload allows for often complex grippers. The integrated EtherCAT Drives with SafeTorqueOff (STO) functionality simplify cabling and reduce electrical cabinet space requirements, especially simplifying multi robots configurations.

Customers profit from fast time to market, flexibility to adapt to specific market needs in their niches and a hands-on support.

The VELTRU D12H Delta Robot is foreseen to be controlled by a VELTRU C10 Motion Controller. The CODESYS V3 based Soft PLC Motion Controller ensures that developers, commissioning and field service engineers are familiar with the system.

For successful system integration, especially in multi robot systems, VELTRU offers logistics concepts and technology for communication.

The source code Application Template featuring a fully fletched Pick-and-Place application gives system integrators a jump start for fast time to market.

## Technical data – VELTRU D12H

Number of axes 4 (opt 3)  
 Work range (cylinder)  $\varnothing 1200 \times 250$  mm  
 Payload 3 kg

Rotational torque 1 Nm

Cycle Time (without handling)  
 25/305/25 – 0.1 kg 0.36 s  
 25/305/25 – 1.0 kg 0.46 s  
 40/700/40 – 0.1 kg 0.52 s  
 40/700/40 – 1.0 kg 0.59 s

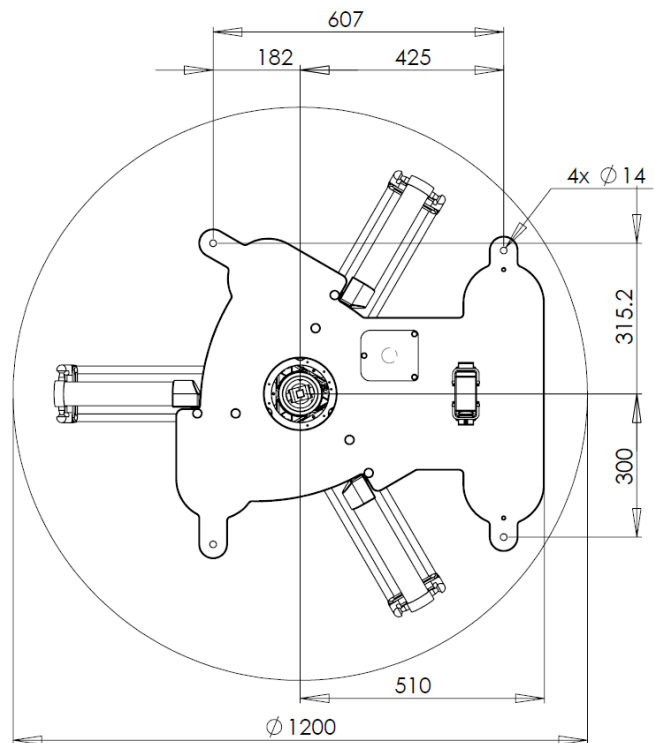
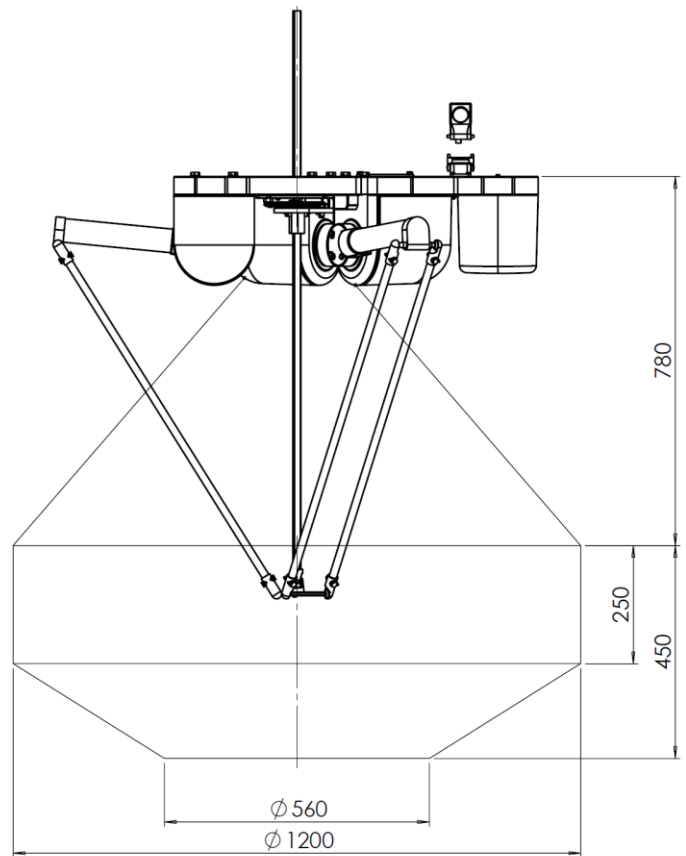
Position Repeatability  $\pm 0.15$  mm  
 Angular Repeatability  $\pm 0.5^\circ$

Power Supply (Heavy Duty Connector)  
 Mains 1  $\times$  230 VAC  
 Rated Power 6.2 kVA  
 Typical Power Consumption 0.5 kW  
 Logic 24 VDC, 1.5 A  
 Communication EtherCAT

Weight 95kg  
 Mounting overhead, 4x M10

Safety STO, SIL d  
 Protection class IP 54  
 Temperature  $0^\circ - 45^\circ$   
 Humidity 95% noncondensing  
 Noise level < 68 db (A)

Controls C10 Motion Controller



All specifications are subject to changes without notice.

# VELTRU

VELTRU AG  
 Flurlingerweg 3  
 CH - 8245 Feuerthalen

Tel: +41 (0)52 654 03 80  
 Fax: +41 (0)52 654 03 81

info@veltru.com - www.veltru.com